

Replacement sheet

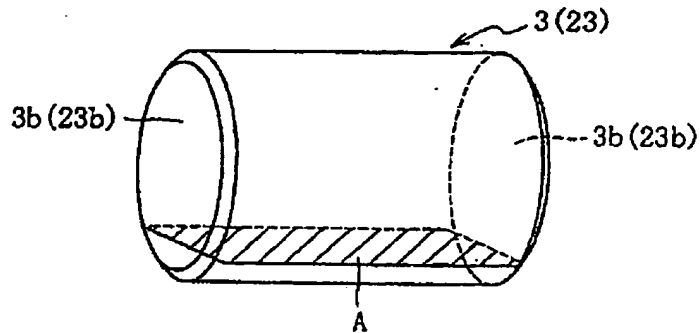
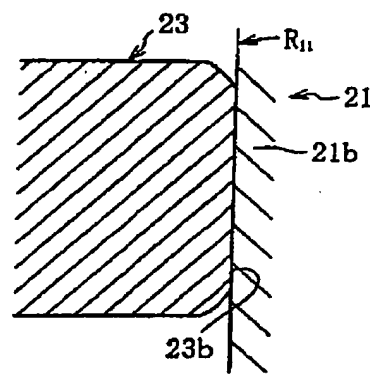
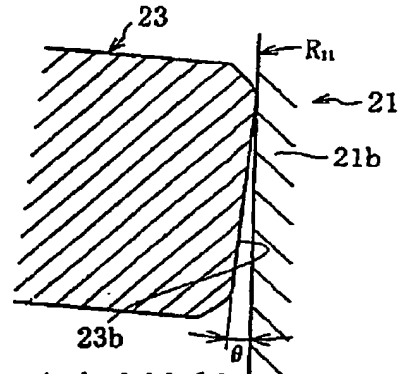


FIG. 5A



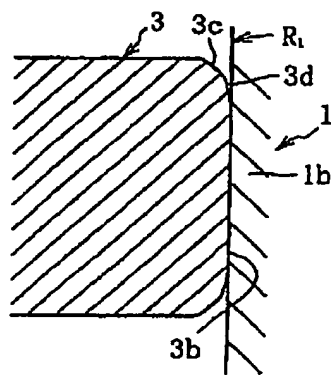
Skew Angle $\theta = 0$



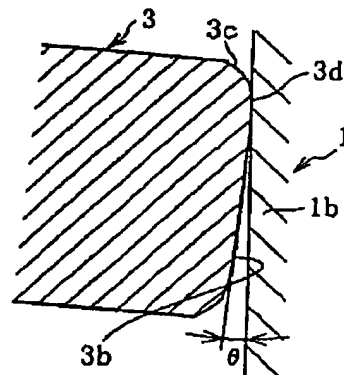
Skew Angle $0 < \theta \leq \theta_1$

FIG. 5B(PRIOR ART)

FIG. 5C(PRIOR ART)



Skew Angle $\theta = 0$



Skew Angle $0 < \theta \leq \theta_1$

FIG. 5D

FIG. 5E

Replacement sheet

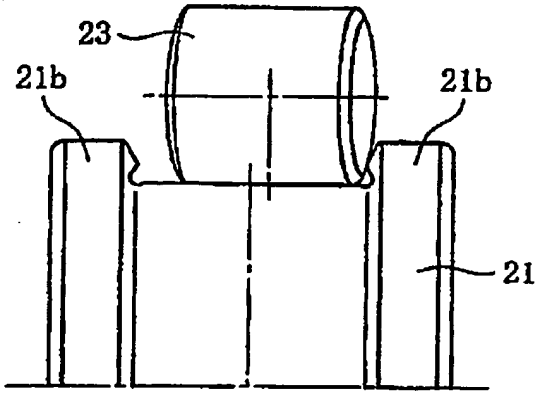


FIG. 10

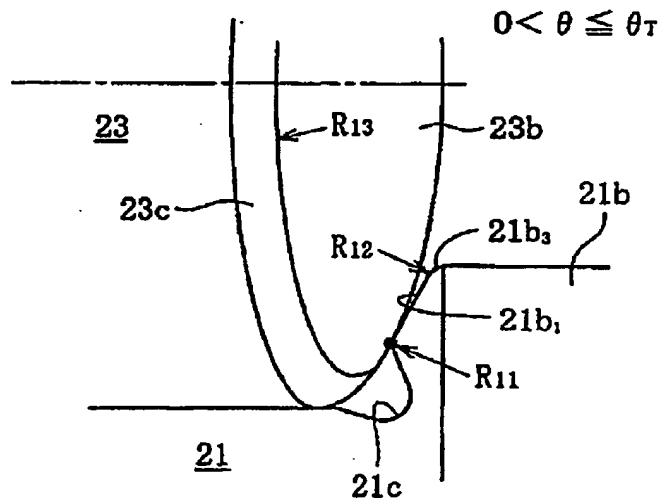


FIG. 11(PRIOR ART)

Replacement sheet

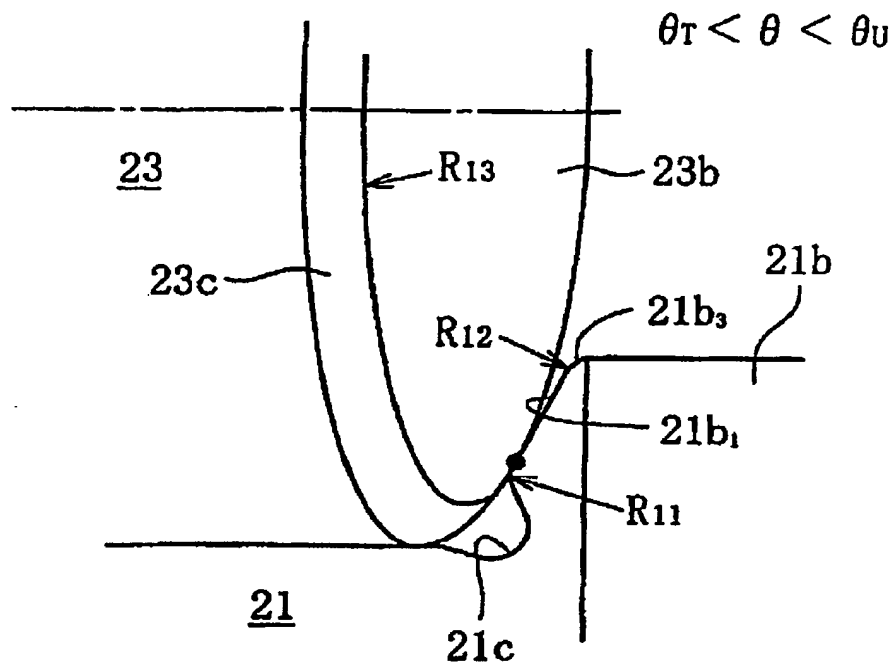


FIG. 12(PRIOR ART)

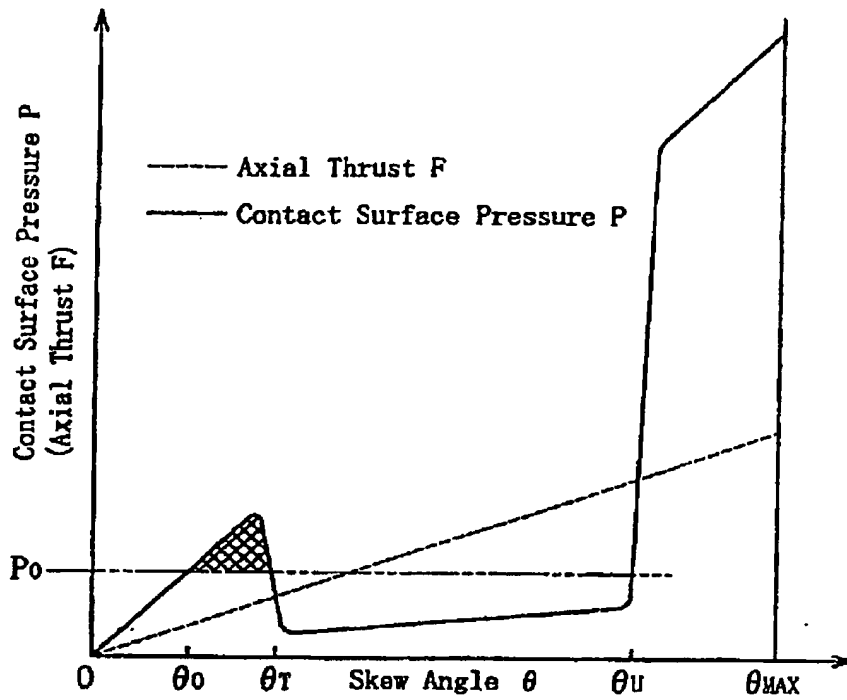
Replacement sheet

FIG. 13(PRIOR ART)